

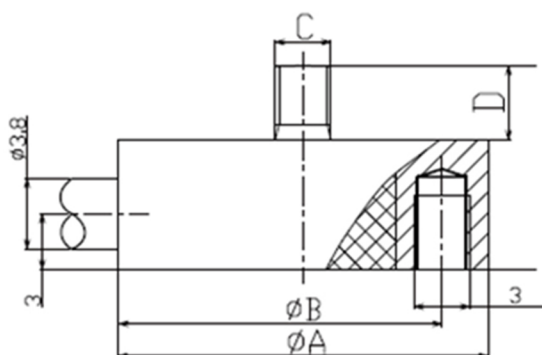
MDS

Force Transducer

- Maximum capacity (E_{max}) (kg):
2, 5, 10, 20, 50, 100, 200, 500, 1000, 2000
- Be suitable for a wide range of applications including testing or weighing systems.

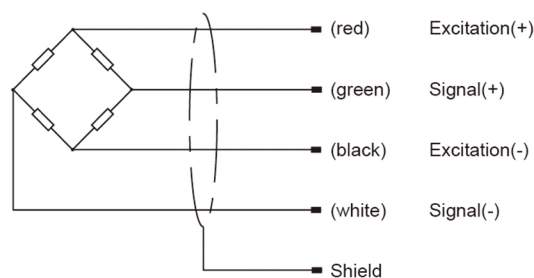


Dimensions(mm)



Capacity量程(kg)	ØA	ØB	C	D	E	F
2-200	20	15	M3	4	11	M3dp4
500-2000	25.4	18	M5	5	15	M4dp5

Wiring code



Specifications

Rated Load	kg	2, 5, 10, 20, 50, 100, 200, 500
	t	1, 2
Rated Output	mV/V	1~1.5±0.2
Zero Balance	%R.O.	±1
Comprehensive Error	%R.O.	0.3
Creep after 30 minutes	%R.O.	0.05
Recommended excitation voltage	VDC	5-12 /15(max)
Input impedance	Ω	350±5
Output impedance	Ω	350±3
Insulation resistance	MΩ	≥5000 (50VDC)
Safe overload	%R.C.	150
Ultimate overload	%R.C.	300
Material		Aluminum or Stainless Steel
Degree of protection		IP65/IP67